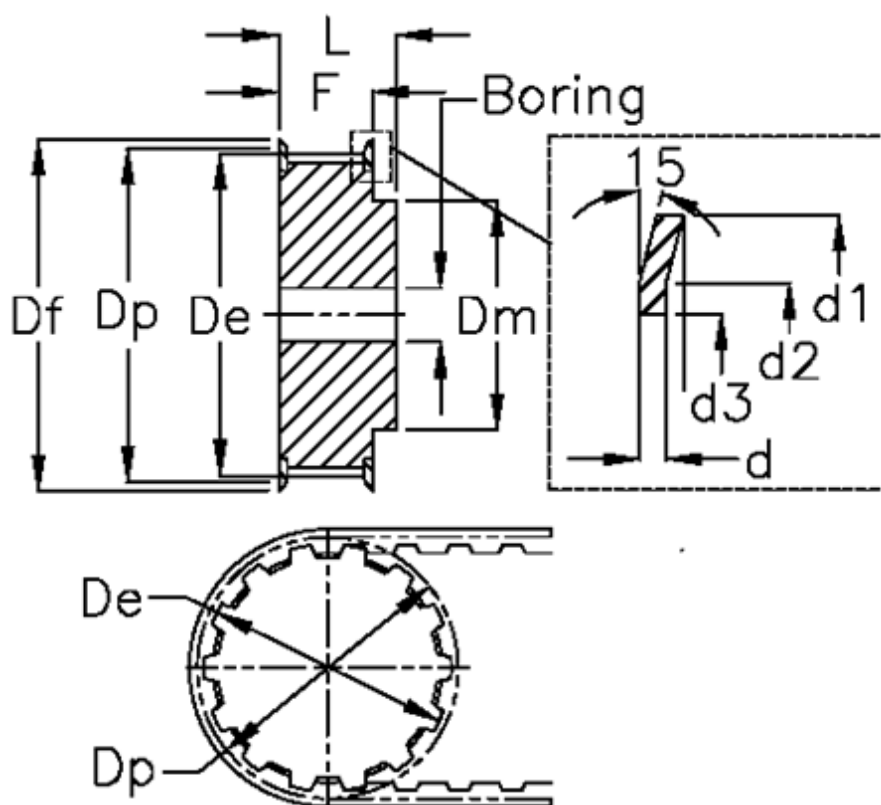


Article number: 604142026025

Description: Timing belt pulley with hub
HTD 26 5M 25

Measures



Bore = 6	Dp = 41.38
d = 1	F = 30.5
d1 = 44	Flange type = F17
d2 = 40.5	L = 38
d3 = 32.5	Tooth number = 26
De = 40.24	Type = 5M
Df = 44	Weight = 0.3
Dm = 30	Width = 25